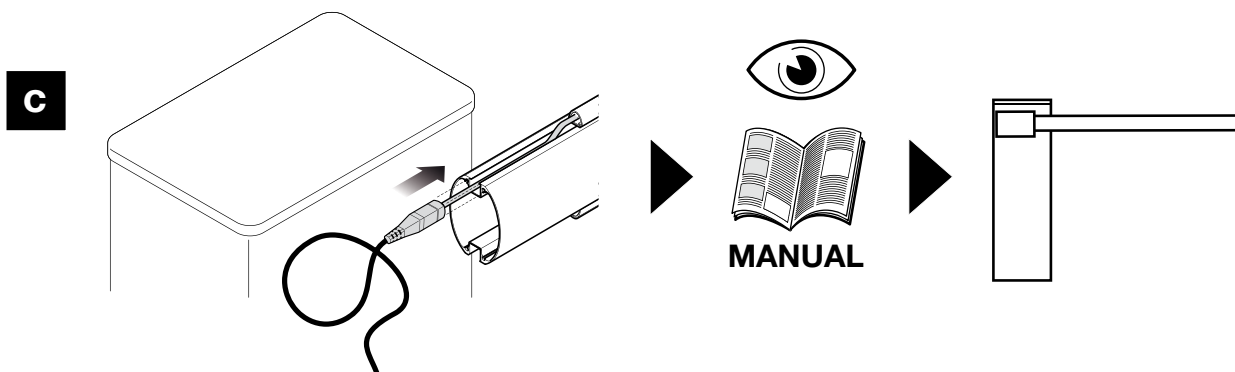
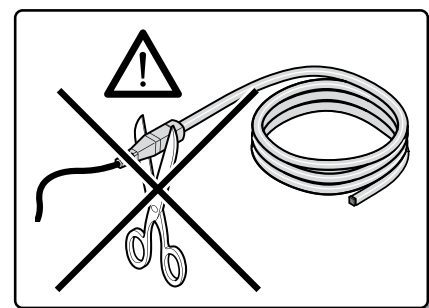
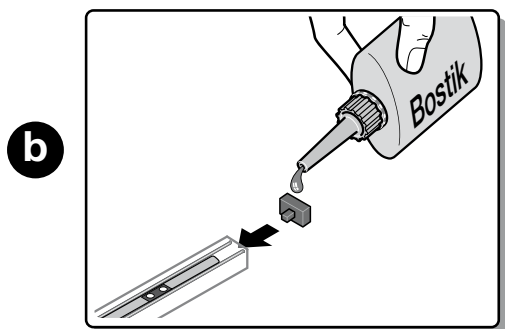
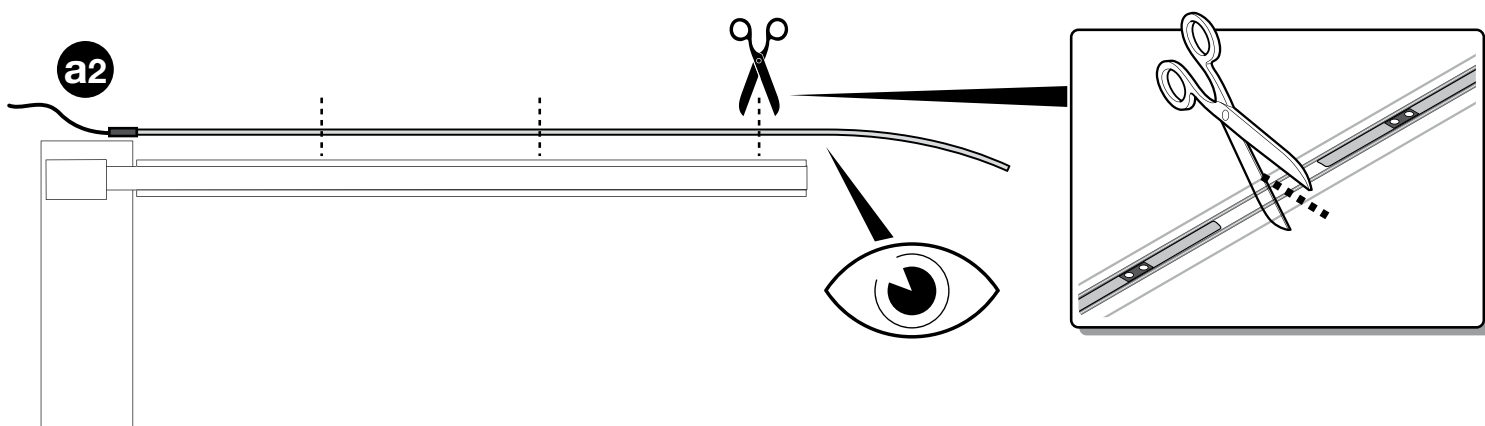
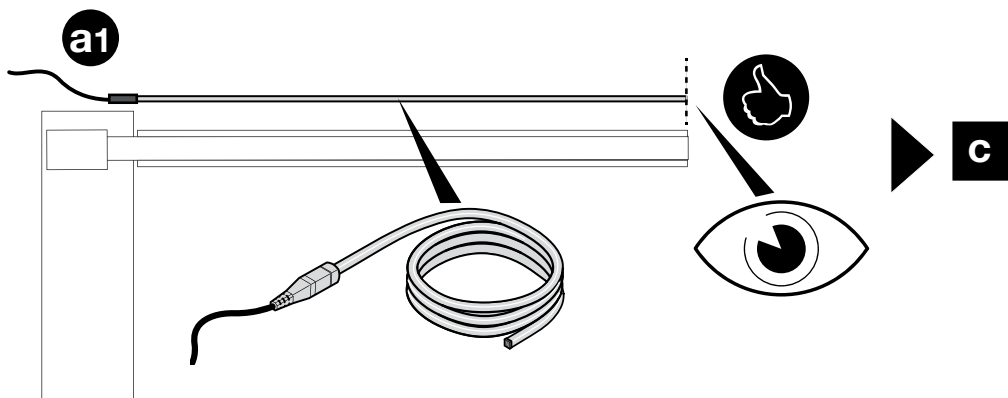


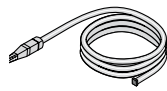




XBA4 - XBA6 - XBA18



15 - 35 V \equiv	BLACK -  RED +	$\sim 10 \text{ mA} / 1 \text{ m}$		$-30^\circ \div +70^\circ \text{C}$	IP 66		 \rightarrow 
--------------------	---------------------------------------------------------------------------------------------------	------------------------------------	-------------------------------------------------------------------------------------	-------------------------------------	-------	---------------------------------------------------------------------------------------	-------------------------------------------------------------------------------------------------------------------------------------------------------------------------------------------